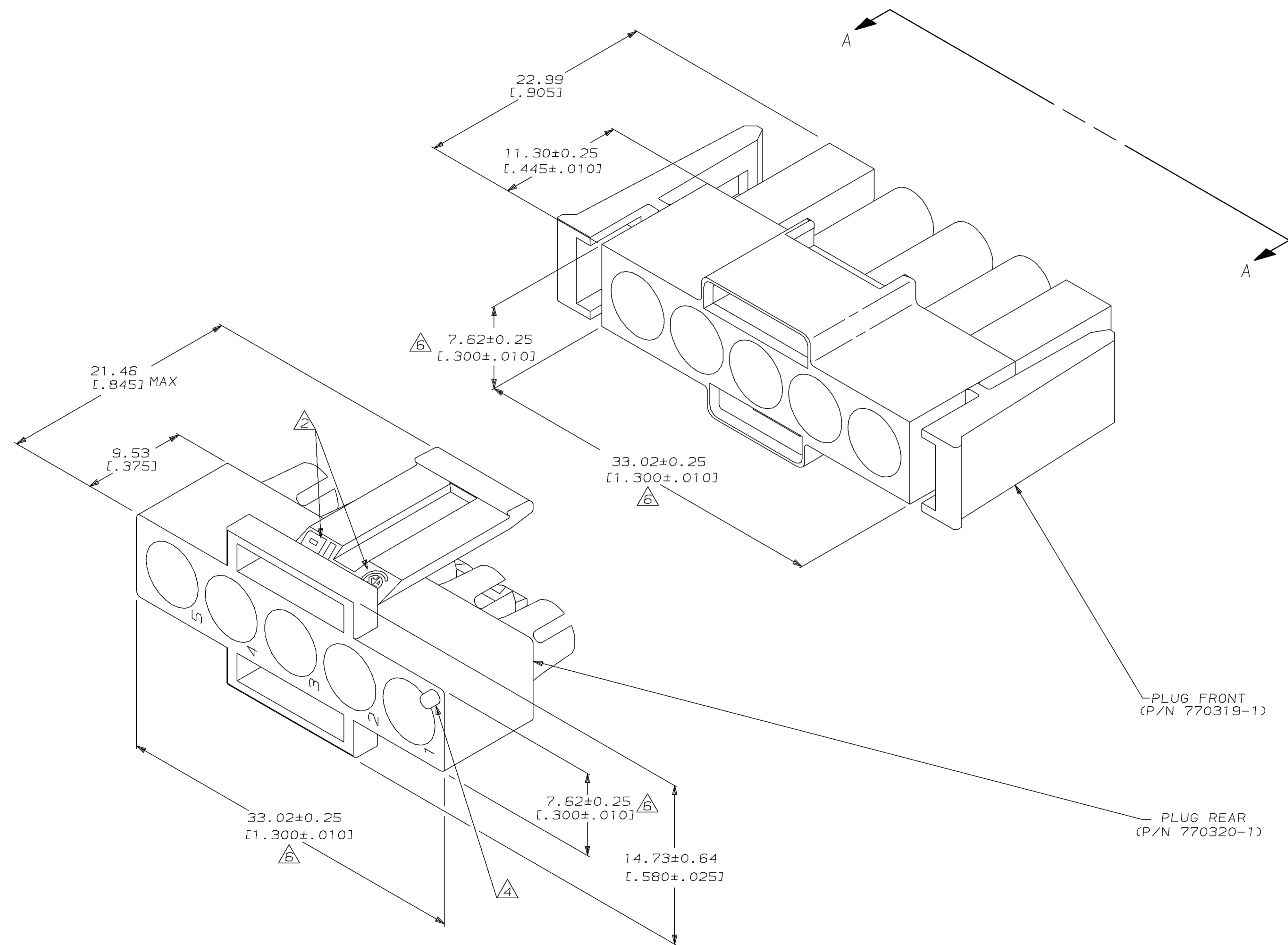
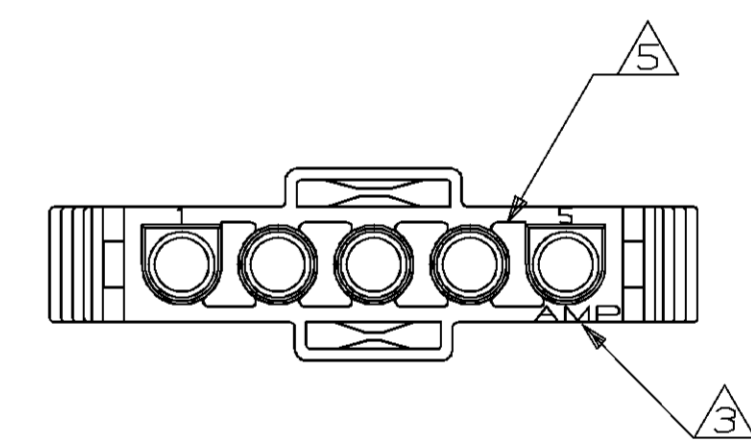


LOC		DIST		P		F		ZONE		LTR		REVISIONS		DATE	APPD			
CM	53												E	REV PER EC	0L30-0034-96	8-30-96	JH	R5



1. BULK PACKAGED, UNASSEMBLED.
2. APPROVAL AGENCY LOGO LOCATED APPROXIMATELY AS SHOWN.
3. AMP LOGO LOCATED THIS SURFACE.
4. CIRCUIT NUMBER ONE IDENTIFICATION BUTTON AND CIRCUIT IDENTIFICATION NUMBERS ARE EACH LOCATED ADJACENT TO THE APPROPRIATE CIRCUIT CAVITIES.
5. NEW MOLD CONSTRUCTION PROVIDES MATERIAL REDUCTION CORING AT BASE OF SILOS WITH NO CORING AS OPTIONAL.
6. DIMENSION INDICATED IS AS MOLDED. ADDITIONAL GROWTH DUE TO SUBSEQUENT MOISTURE ABSORPTION MAY OCCUR.



VIEW A-A  
SCALE 2:1

PLUG FRONT  
(P/N 770319-1)

PLUG REAR  
(P/N 770320-1)

770016-1  
PART NUMBER

METRIC

DO NOT SCALE PRINT. UNLESS SPECIFIED DIMENSIONS IN INCHES TOLERANCES ON:		DR 1-22-92 K. SALMON		AMP INCORPORATED Harrisburg, Pa. 17105	
1. DIMENSIONS ± .010		CHK 1-22-92 R. SWING		NAME	
2. PLC DEC ± .010		APPD 1-22-92 M. TRULL		PLUG HOUSING KIT, 5 CIRCUIT, IN-LINE, UNIVERSAL MATE-N-LOK™ II	
3. ANGLES ± .010		APPD 1-22-92 M. TRULL		SIZE	
MATERIAL		PRODUCT SPEC		F5CM NO	
NYLON, UL94V-0,				00779	
FINISH		APPLICATION SPEC		DRAWING NO	
				770016	
WEIGHT		SCALE		SHEET	
		5:1		1 OF 1	